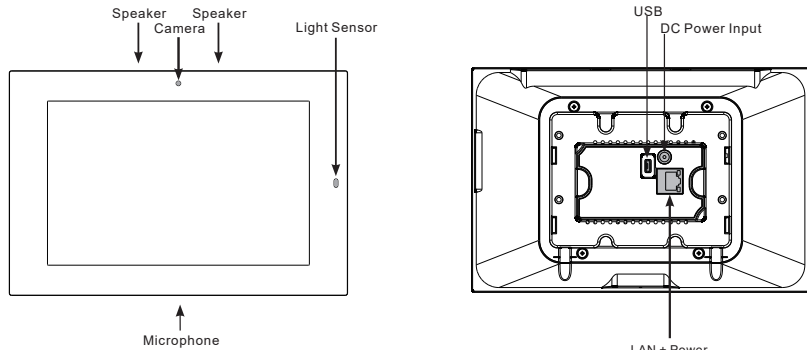


XTouch80 - Overview



Planning the installation

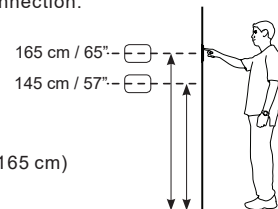
The XTouch80 is designed to be wall mounted in either Portrait or Landscape orientation, or be as Table top.

The XTouch80 requires a minimum mounting depth of 1" (2.45cm) on wall for cable/s. Power may be supplied by Power Over Ethernet (PoE) or by a 24v DC power supply (not included). PoE must meet the IEEE 802.3at standard. Direct power via a 24v DC external power supply requires a minimum current output of 2A. The XTouch80 connects to the local network via a hard wired Ethernet connection. Or units with WiFi, can be connected to the WiFi network.

1 Installing the XTouch80

a. Mounting height

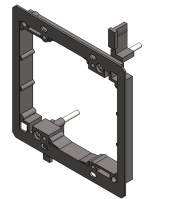
- The recommend mounting height for the XTouch80 is 57"- 65"(145 cm -165 cm) above the finished floor to the center of the unit.



b. Rough-In

The XTouch80 has been designed to mount to a US standard 2 gang low voltage bracket like Arlington LV2.

- The XTouch80 mounting bracket, included in the box, should be attached to the 2 gang low voltage bracket with the screws supplied in the packaging. The XTouch80 attaches on the mounting bracket with 2 captive screws located at the bottom of the XTouch80.



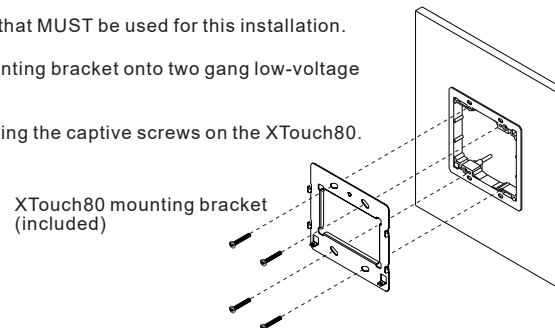
2 gang bracket

c. Landscape Mounting

- Install the two gang low-voltage bracket on wall in it's normal orientation.

d. Installing the XTouch80 mounting frame

- The XTouch80 includes a mounting bracket that MUST be used for this installation.
- Using the included screws to mount the mounting bracket onto two gang low-voltage bracket.
- Verify that the bracket is level before tightening the captive screws on the XTouch80.

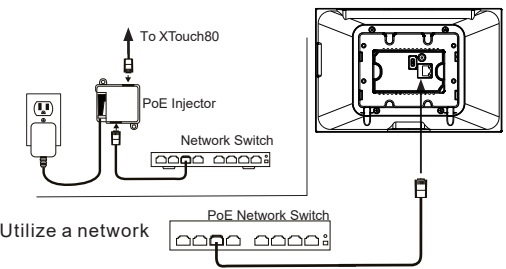


e. Connecting the XTouch80 to power

- The XTouch80 is designed to be powered over the Ethernet connection (PoE) or by connecting a 24v power supply (not included), but not both. If both the PoE and a 24v power supply are connected, the XTouch80 will draw power from the 24v source.

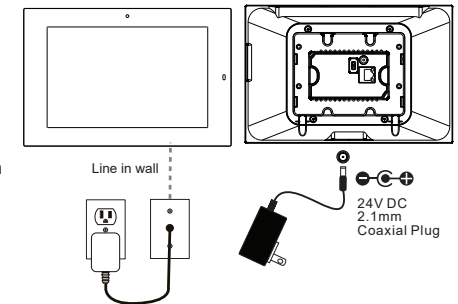
PoE Connection

- PoE connection requires that IEEE 802.3at standard. Utilize a network switch or PoE injector that meets this standard.
- Connect the XTouch80 using a standard T568A or T568B Ethernet cable from the network switch to the LAN/PoE jack on the back of the XTouch80.



24v Power Supply

- You can provide power locally or remotely to XTouch80 by utilizing a 24v DC power supply (not included). Note to be sure that running the wire through the wall in accordance with local codes when powering locally. If powering remotely, be sure to use wire of adequate gauge for the length of the run. Please use approved 24v DC power supply.

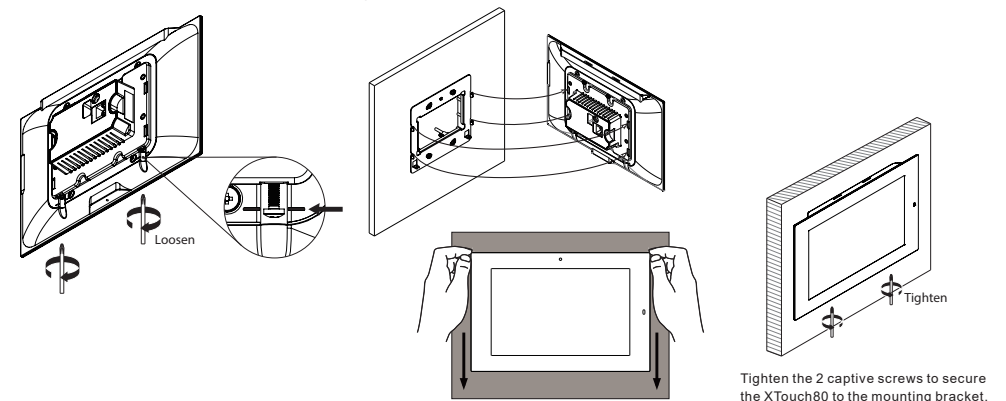


- Verify the polarity of the barrel connector on your power supply before connecting it to the XTouch80. The center pin of the XTouch80 Power Connector is positive and the outer ring is negative. If the wire is extended, note to ensure the routing is in compliance with local codes.

- Plug the connector into the XTouch80 DC jack on the back of the XTouch80.

f. Mounting the XTouch80

- Loosen the captive screws of the unit first. Screws should not be moved apart from the unit. Please meet the indicated line.
- Align the mounting frame hooks with the XTouch80 mounting slots and gently pull the XTouch80 unit down the mounting bracket. Make sure the mounting hooks are properly engaged.
- Orient the XTouch80 for the desired portrait or landscape mounting option.
- To complete the installation insert the XTouch80 into the included bracket and tighten the 2 captive screws to secure the XTouch80 to the mounting bracket.

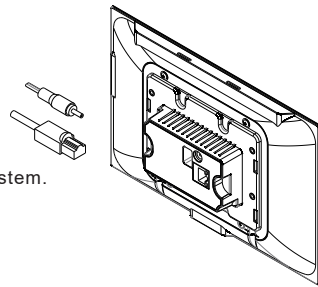


Tighten the 2 captive screws to secure the XTouch80 to the mounting bracket.

2 Powering up the XTouch80

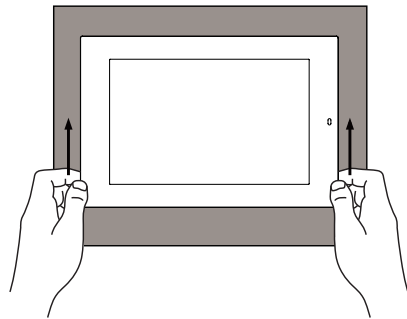
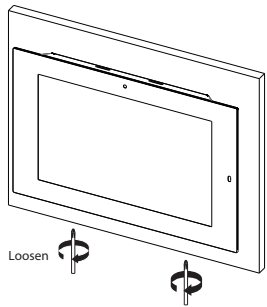
The XTouch80 will automatically power on when power is applied. Wait for the unit to boot up.

- When connected to a network switch by Ethernet cable the XTouch80 will acquire a network address via DHCP and automatically connect to the system.

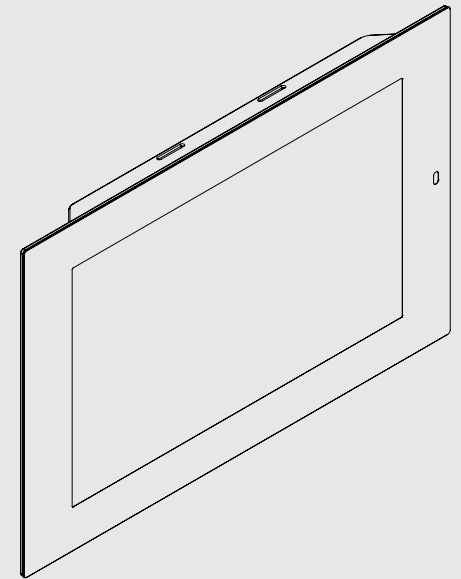


3 Removing the XTouch80

- Using a precision Philips head screw driver to loosen the 2 captive screws on the XTouch80, then slightly pull straight up from the mounting frame to disengage the unit.



XTouch80 - 8" Touch Panel User Interface Quick Install Guide



English

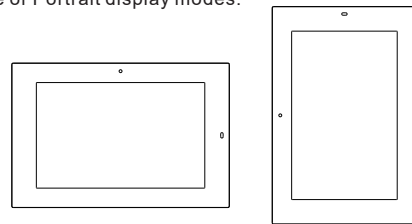
V1.1 04.25.18

4 Setting screen orientation

On the XTouch80 touch panel setup screen, select Landscape or Portrait display modes. Press Start to launch the user interface.

To change orientation:

- Remove power from XTouch80.
- Re-apply power to XTouch80.
- Select landscape or portrait orientation.



The XTouch80 has been designed to provide years of trouble free operation when wired and installed properly. The XTouch80 has been designed for installation in low humidity indoor environments and should never be installed outdoors or in high humidity areas.

Included in the box

- 1ea XTouch80 touch panel
- 1ea XTouch80 mounting bracket
- 4ea Mounting Screws

Introduction

To install the XTouch80, you will also need a standard 2 gang US junction box or low voltage bracket.

Important Safety Instructions

1. Read, understand and follow ALL safety and installation instructions included in this manual. Failure to follow the included documentation may damage the product and will void manufacturer's warranty.
2. Follow ALL installation guidelines included with the product. Installation of the product in high humidity environments, in close proximity to heat sources and / or non-recommended locations WILL impede, interfere and/or damage the intended operation of the product.
3. Only use attachments and accessories which have been specified for use by for use by the manufacturer.
4. The use of abrasive, liquid or solvent based cleaning fluids WILL damage the product.
5. Product Servicing may ONLY be completed by authorized or certified service centers & personnel. For a complete list of product servicing options, please follow instructions included in the product documentation and /or contact original manufacturer for details.

This equipment has been tested and found to comply with the limits for a Class B digital device, pursuant to part 15 of the FCC Rules.

These limits are designed to provide reasonable protection against harmful interference in a residential installation. This equipment generates, uses and can radiate radio frequency energy and, if not installed and used in accordance with the instructions, may cause harmful interference to radio communications. However, there is no guarantee that interference will not occur in a particular installation. If this equipment does cause harmful interference to radio or television reception, which can be determined by turning the equipment off and on, the user is encouraged to try to correct the interference by one or more of the following measures:

- Reorient or relocate the receiving antenna.
- Increase the separation between the equipment and receiver.
- Connect the equipment into an outlet on a circuit different from that to which the receiver is connected.
- Consult the dealer or an experienced radio/ TV technician for help.